

HVBD SERIES

High Voltage Battery Disconnect

300A Continuous Duty

400A Continuous Duty

600A Continuous Duty



APPLICATIONS



FEATURES

HVBD is the next level in battery disconnect technology

- Robust metal-ceramic hermetic seal
- Industry leading dielectric withstand voltage
- High temperature performance
- Ultra-low contact resistance over life
- Ready for harsh environments
- Lock-out / tag-out ready for OSHA compliance
- Drop-in replacement for GIGAVAC¹ HBD Series battery disconnect switches
- Optional integrated auxiliary contacts
- Patent pending

PERFORMANCE

TABLE 1. SPECIFICATIONS	
CHARACTERISTIC	MEASURE
Contact Arrangement	Form X, SPST
Operating Voltage ²	Up to 1,000VDC (no switching under load)
Dielectric Withstand Voltage	5,000VDC, 1 minute
Continuous Current	300A, 400A, or 600A continuous
Overload Current	See graphs on next page
Make and Break ² (400A @ 24VDC)	5,000 cycles
Voltage Drop (Max at nominal load)	40mV
Min Insulation Resistance	100Mohm
Shock, 1/2 Sine, 11ms	25G
Vibration, Sinusoidal (10-500Hz Peak)	4G
Vibration, Sinusoidal (500Hz-2000Hz Peak)	20G
Operating Temperature ³	-55°C to 85°C
Ingress Protection	Exceeds IP69, (Hermetically sealed)
Weight	425g
Case Material	PA GF
Switch Lever Material	PA GF
Mounting	100mm C:C, 2X M8
Mounting Position	Any
Auxiliary Contact (SPDT)– Continuous Current	3A

¹ GIGAVAC is a registered trademark of GIGAVAC, LLC.

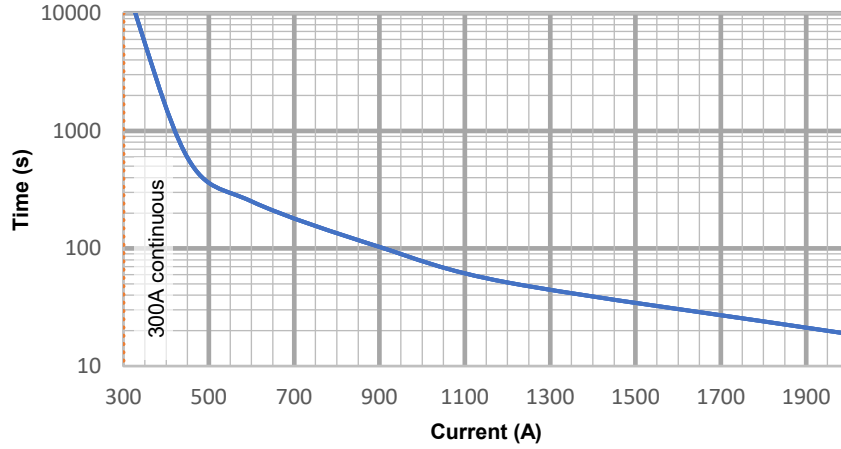
² The HVBD is designed to isolate at voltages up to 1000VDC. The HVBD is not intended for make/break switching above 100V.

³ 170°C max terminal temperature.

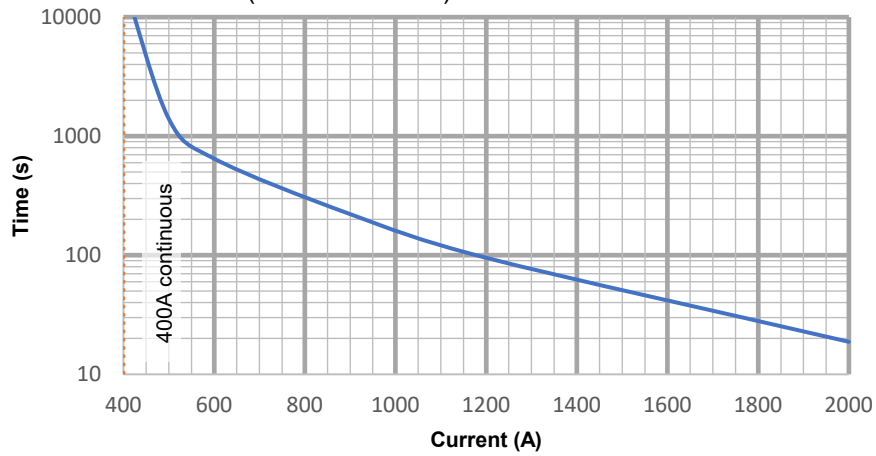
Application Notes

- Current carry @ 85°C Ambient (75°C for 600A version)
- 170°C max terminal temperature
- Graphs provided for design reference; user to verify system temperatures

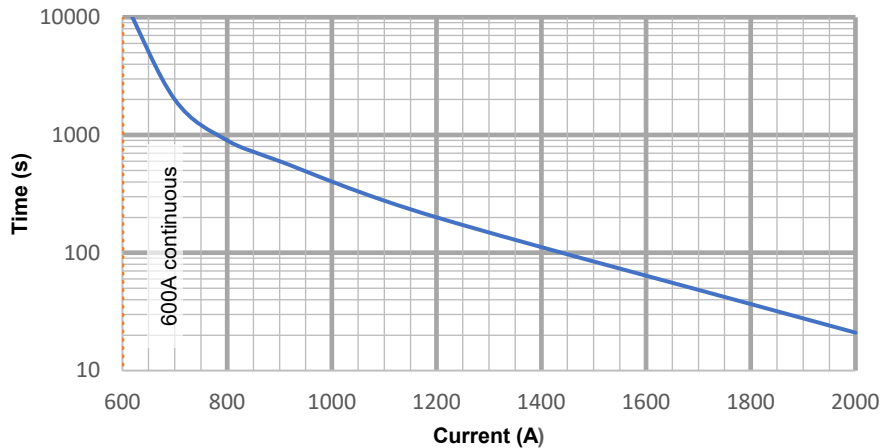
HVBD3 Series Momentary Current Carry
(68mm² busbar) / 85°C Ambient



HVBD4 Series Momentary Current Carry
(119mm² busbar) / 85°C Ambient



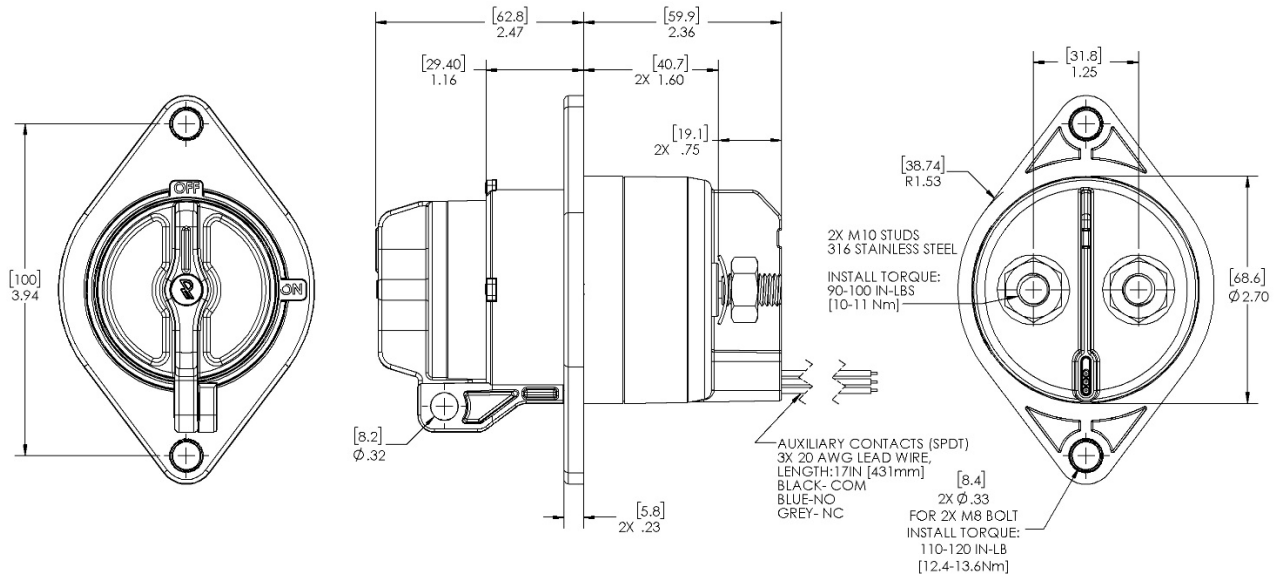
HVBD6 Series Momentary Current Carry
(250mm² busbar) / 75° C Ambient



Part Number Key

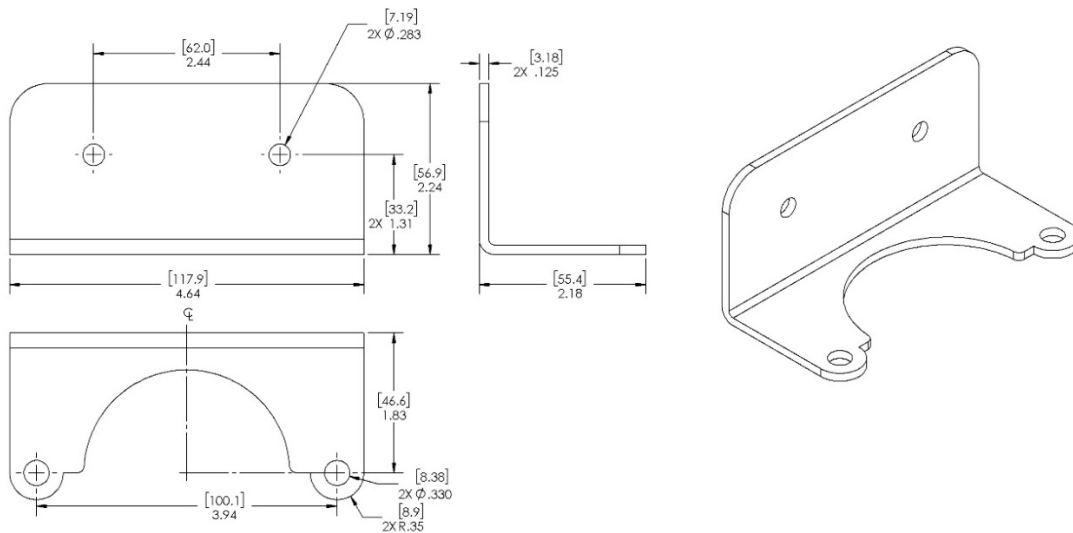
TABLE 2. PRODUCT NOMENCLATURE				
	CURRENT RATING	MOUNTING	AUXILIARY CONTACTS	HANDLE COLOR
HVBD	3 300 Amp	A 100 mm C:C	A Included X None	R Red
	4 400 Amp			
	6 600 Amp			

PRODUCT DIMENSIONS IN. [mm]



OPTIONS

RP2099 Mounting Bracket



NOTES:

- Contact Rincon Power for optional mounting gasket.
- Contact Rincon Power for optional OSHA certified lockout tagout padlock
- Lockout Tagout Padlock Requirements:
Shackle DIA: 9/32"
Vertical Clearance: 3/4"
Horizontal Clearance: 5/8"

Optional SPDT auxiliary switch details:

- Main contacts close before auxiliary contacts when switching from ON to OFF
- Auxiliary contacts open before main contacts when switching from OFF to ON
- IP67 sealed
- Auxiliary contacts rated to (3A @ 12VDC 100k cycles)