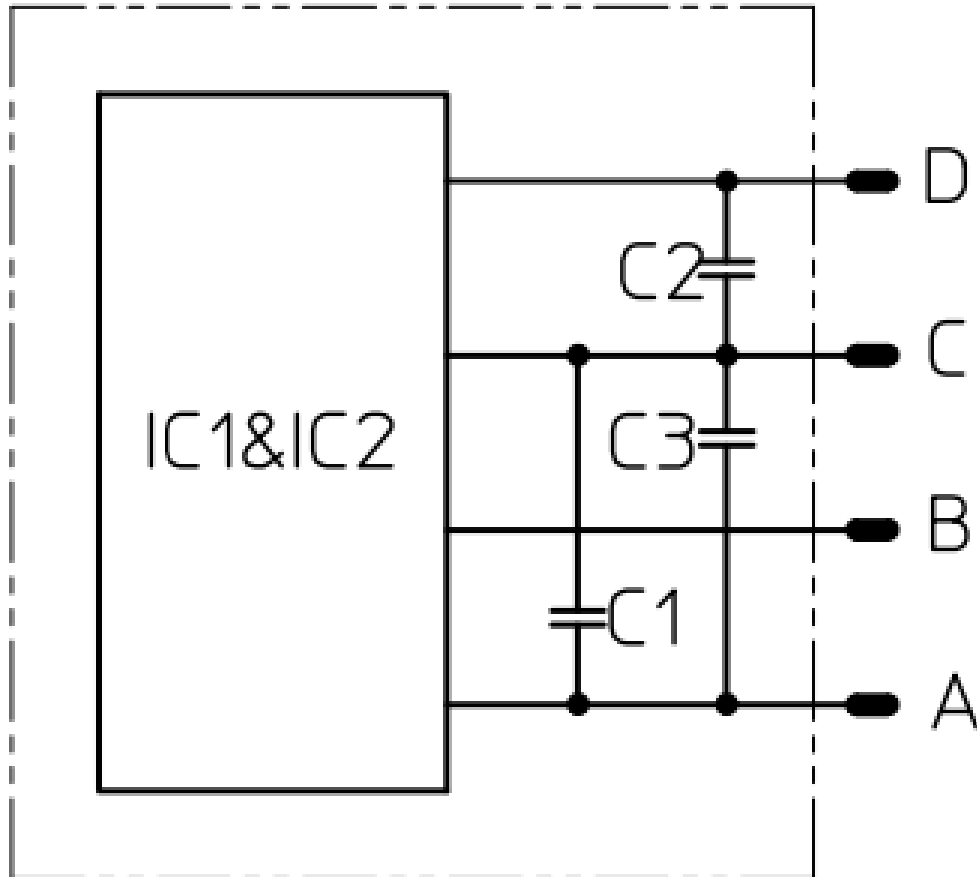


LEM DHAB Current Sensor Pinout



D	Uout Low current range
C	Ground
B	Uout High current range
A	Uc 5 Volts