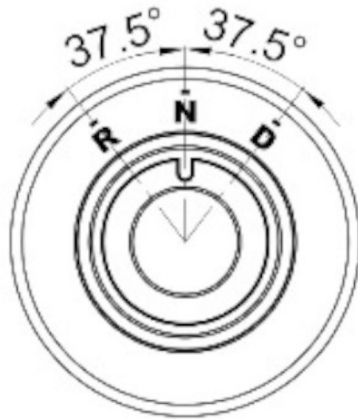
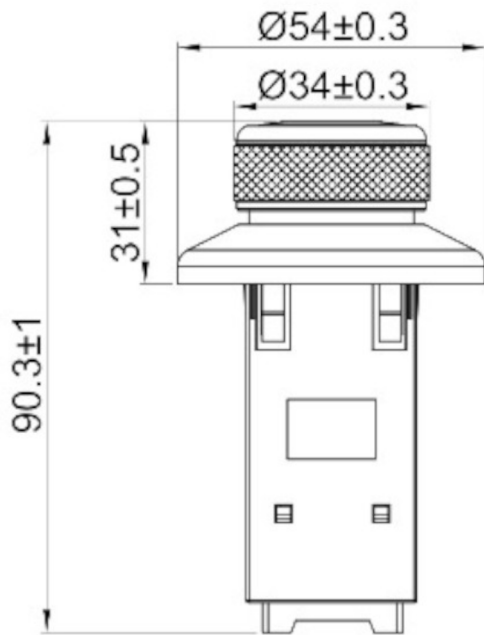
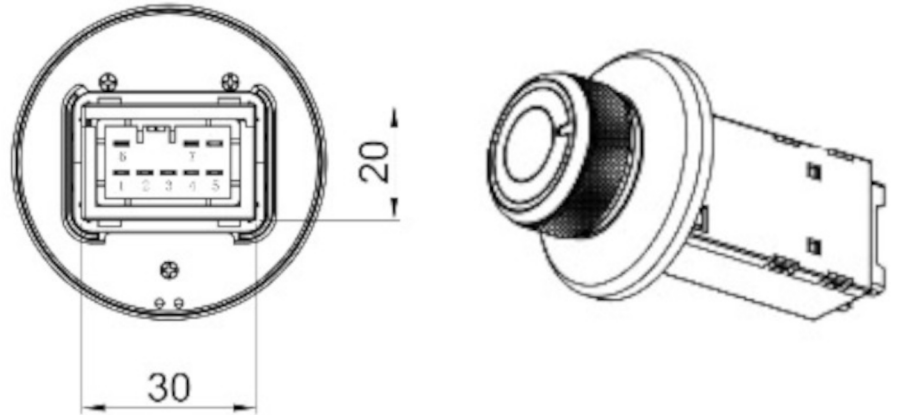


Electric Vehicle Gear Shift Selector (DNR)

Front View



Back View



| Pins | Defination |
|------|-------------------------|
| 1 | Signal Input (0 to 80V) |
| 2 | D Signal Output |
| 3 | R Gear Output |
| 4 | 12v Power Input (+) |
| 5 | Power Negative (-) |
| 6 | R Signal Output |
| 7 | D Gear Output |

| Pins | 1 | 2 | 3 | 4 | 5 | 6 | 7 |
|------|---|---|---|---|---|---|---|
| D | ○ | ○ | | ○ | | | ○ |
| R | ○ | | ○ | ○ | | | ○ |

Note: Pin 5 is the negative electrode of the working power supply